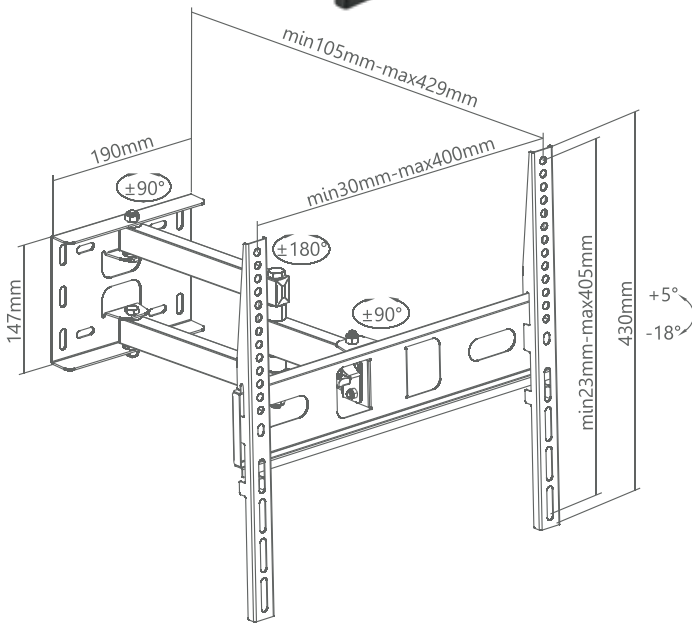


32-55 FULL MOTION EXTRA SLIM



CODE SUPSTV003

BARCODE 8054242080759

MODEL 32-55 Full Motion Extra Slim

TV SIZE 32" - 55"

TV MODEL Lcd, Led, Plasma,
Curved TV, Samsung Q6

TILT RANGE +10° ~ -15°

SWIVEL RANGE +90° ~ -90°

LEVEL ADJUSTMENT +3° ~ -3°

MATERIAL Steel

WEIGHT CAPACITY 35kg / 77lbs

OUTER CARTON 6 PCS

VESA COMPATIBLE 200x200, 300x300,
400x200, 400x400

DISTANCE FROM THE WALL 63 - 427 mm

ADDITIONAL CONTENT

- Cable management system
- Direction indicator
- Instructions manual
- 2 years warranty



SUPERIOR-ELECTRONICS.COM

Superior Electronics
Largo Lanciani, 24 - 00162 Roma



All mentioned product names, logos and brands are property of their respective owners