

## Primary Lithium Battery Technology Specification

**Reference** PLI137

**Part name** Primary Lithium Battery

**Model No** ER34615 19000mAh 3.6V

## 1.Scope

This specification is applied to the reference battery in this Specification

## 2.Product Specification (23±2°C)

No.	Item	General Parameter	Remark
1	Nominal Capacity	19000mAh	Discharge at 10mA to 2.0V
2	Rated Voltage	3.6 V	Mean Operation Voltage
3	Max Constant Discharge Current	230mA	—
4	Max Pulse Discharge Current	400mA	—
6	Operating temperature range	-55~85°C	—
7	Avaliable Terminations	<b>S</b> :Standard Terminations	Special Termination are avaliable upon request
		<b>T</b> : Solder Tabs	
		<b>P</b> :Axial Pins	

## 3. Benefits

- High energy density, High voltage, stable during most of the application's lifetime
- Wide range of operating temperature
- Long self-dischager rate (≤1% per year during Storage)
- Long storage life (10 years under room temperature)

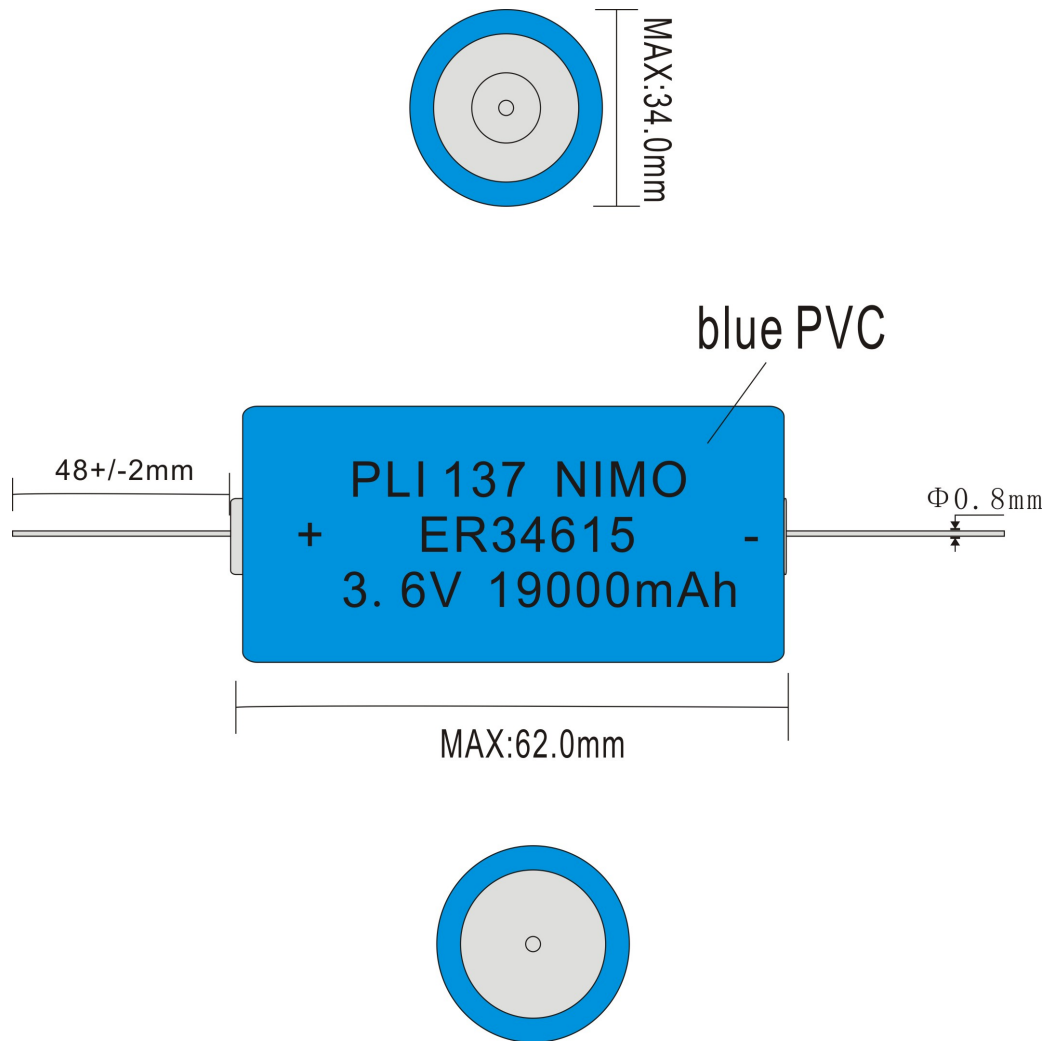
## 4. Main application

- Intelligent instrument and meter
- Memory and standby power, Alarms and security devices
- Automotive electronics, Electronic toll collection
- Military devices

## 5. Warning

- Fire, explosion and burn hazard.
- Do not recharge, short circuit, crush, disassemble, heat above 100°C incinerate.
- Do not use the battery beyond the permitted temperature range.

## 7. Dimension:



- 3 -

.....END.....